

- A = Cleaning Button
- B = Inductive Alarm (option)
- C = Target flow indicator
- D = Flow indicator ring
- E = Cleaning ring
- F = Flow indicator adjustment point
- G = Allen key
- H = Flow adjustment point
- I = Plant water supply connection
- J = Supply connection to the mechanical supply
- K = Return connection from the mechanical seal
- L = Drain connection
- M = Back pressure control valve
- N = Back pressure control valve adjustment point
- O = Pressure gauge
- P = Target pressure indicator

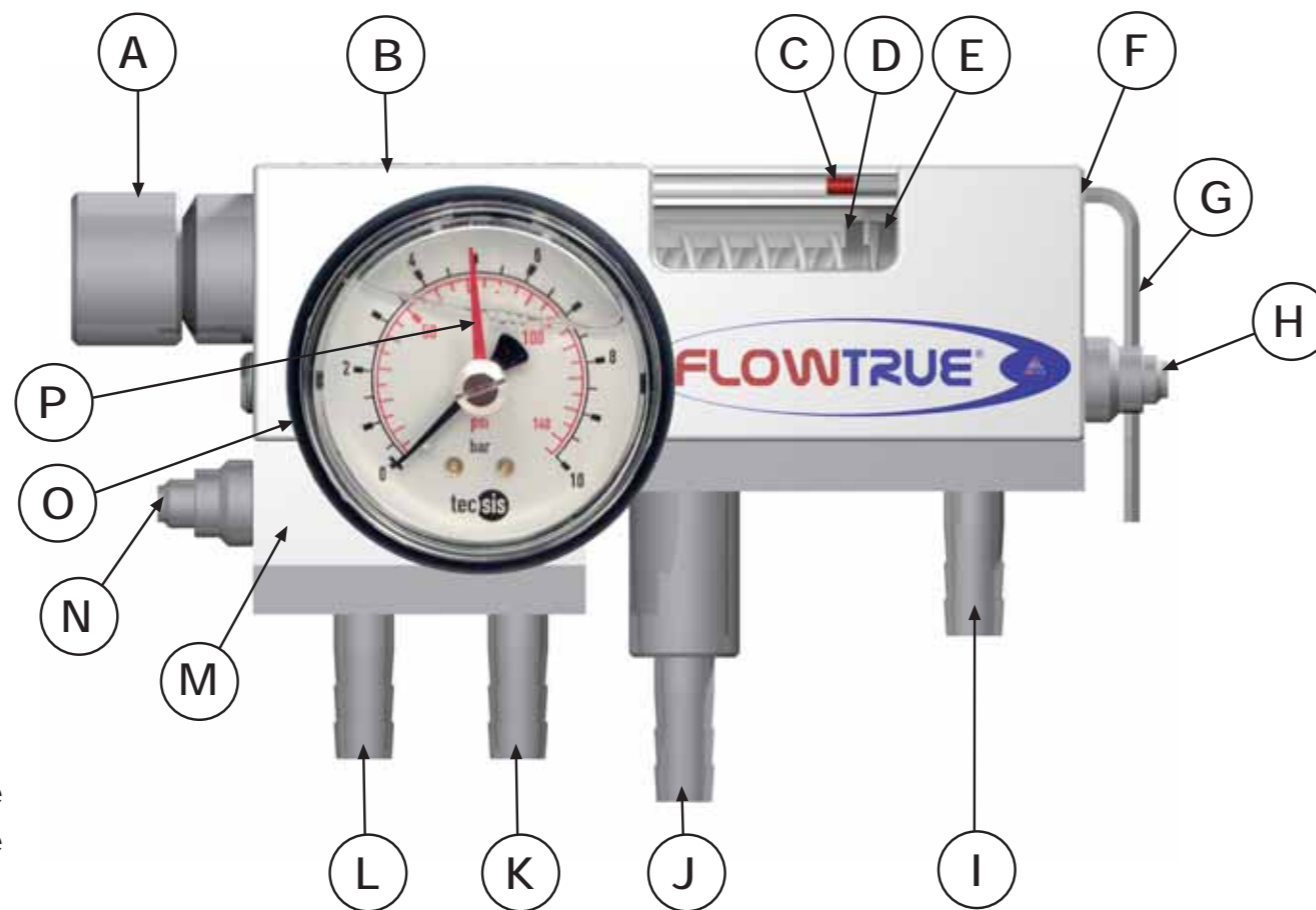


FIG.1 FLOWTRUE® Features

Installation & Commissioning



- 1) New or renewed plant water lines need to be flushed correctly to prevent harmful particles from passing through the FLOWTRUE® valve and seal. **Ensure that the plant water supply is closed for stages 2 - 5**
- 2) Install the FLOWTRUE® in a suitable location which is free from vibration and in close proximity to the pump. The meter should be mounted so that it is easy to read and maintain.
- 3) Connect the hoses from the plant water supply ball valve to the FLOWTRUE® (I) and from the FLOWTRUE® connection (J) to the mechanical seal.
- 4) If installing Model FTPB - XX - YYY for use with a double mechanical seal (Figure 1 & 3), there is both a backpressure valve (M) and a pressure gauge (O). The hose from the mechanical seal leading back to the FLOWTRUE® is connected to return connection (K).
- 5) Ensuring that the flow valve (H) is closed, set the red target flow indicator (C) to the desired flow rate using the 2.5mm hex key inserted in (G).
- 6) Switch on the plant water supply. Open the flow valve (H) until the white left hand ring (D) is in line with the red flow indicator (C).
- 7) If installing Model FTPB - XX - YYY for use with a double mechanical seal (Figure 1 & 3), adjust the red target pressure indicator (P) to the pressure you desire. Use allen key (G) in the back pressure control valve adjustment point (N) until the desired pressure is reached.

Alarm Option:

If you choose the alarm option, please refer to the instructions supplied with the alarm.

Cleaning Operation

- 1) Un-screw cleaning button (A) by rotating it anti-clockwise.
- 2) Pull the cleaning button out of the main body. Push the button back and forth until the cleaning ring (E) clears the flow tube.
- 3) Push the cleaning button (A) back into the main body and tighten by rotating it clockwise until hand tight.

In the absence of original equipment/fluid manufacturers instructions, ensure that the selected barrier/buffer fluid has an auto-ignition temperature at least 50°C (90°F) ABOVE the maximum surface temperature of any component with which it may come into contact, both in normal operation and in the event of leakage from the seal or barrier system.

DECLARATION OF INCORPORATION

This Mechanical seal Support System must not be put into service until the relevant machinery into which it is incorporated has been declared to be in conformity with the provisions of the Machinery Directive.

Stephen Shaw, Director, AESSEAL MCK Ltd

SAFETY CHECKS

1) Mounting

- Ensure that the seal water meter is installed near the pump so that it is easy to identify which seal it is connected to.
- The meter should be mounted so that it is easy to read and maintain.
- Ensure the seal water meter is mounted firmly to the pump or other solid construction, either by using a mounting pipe or a bracket.

2. Operating & Maintenance

Check the following before and after start up:

- Ensure that all hoses are properly tightened and are free from leakage.
- The pressure of the seal water does not exceed the highest rating of the pressure gauge.
- The flow of seal water does not exceed the highest rate of the flow scale.
- The flow tube and components should be cleaned at regular intervals by means of the cleaning button.



INSTALLATION INSTRUCTIONS

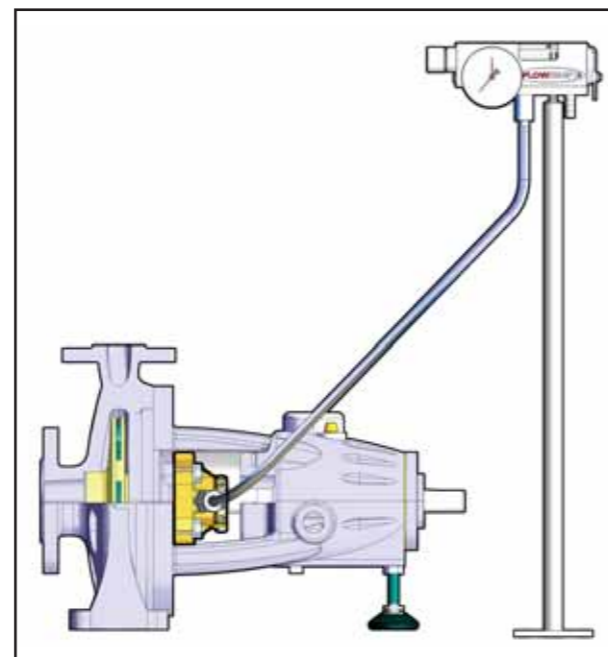


FIG.2 - Single Seal and Packed Glands FLOWTRUE® Installation

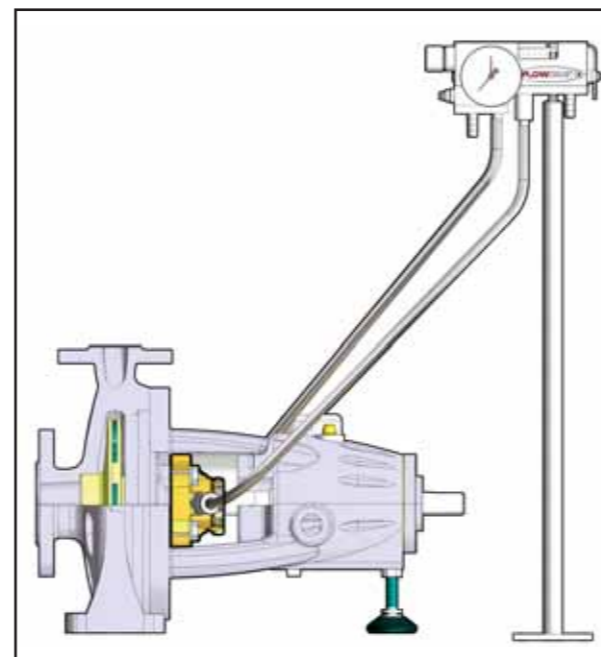


FIG.3 - Double Seal FLOWTRUE® Installation



AESSEAL (MCK) Ltd.
 139A Hillsborough Old Road
 Lisburn
 N.Ireland
 BT27 5QE
 Telephone: +44 (0) 28 9266 9966
 Fax: +44 (0) 28 9266 9977
 Tel/Fax Hotline: +44 (0) 28 9266 9988
 E-mail: MCK@aesseal.co.uk
 www.aesseal.com