

INCORPORATING
PRODUCTS AWARDED
THE QUEENS AWARD
FOR ENTERPRIZE;
INNOVATION
2009



THE QUEEN'S AWARDS
FOR ENTERPRIZE
INNOVATION
2009



ENVIRONMENTAL TECHNOLOGY

reliability-focused-solutions.com

Reliability
Focused
Solutions



LabTecta-RDS™

“The 21st Century Bearing Protector”
PATENT PENDING in over 39 countries.



“Radially Divided Seal”

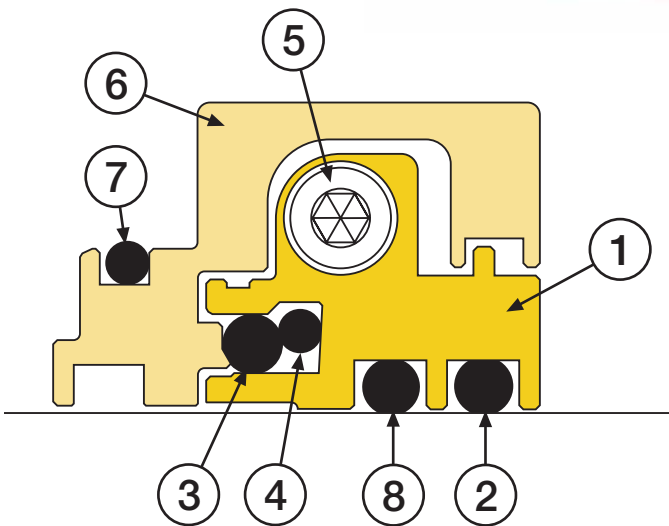
LabTecta-RDS™ - Radially Divided Seal

The AESSEAL® LabTecta-RDS™ provides a quick and cost effective alternative to dismantling large equipment to fit bearing seals. It can be tailored to suit any specific application whether it is a new build project or retrofitted to existing equipment.

Major benefits are:

- Extended bearing and equipment life
- Better protection against contamination ingress
- Easy installation
- Positive lubrication retention for the life of the equipment
- No shaft wear or damage to equipment

The LabTecta-RDS™ represents a significant advancement in separation technology.



Item	Description	Material
1	LabTecta™ Rotary	Phosphor Bronze
2	Outboard Rotor O Ring	Viton®
3	Arknian™ Shut Off Device	Viton®
4	Arknian™ Energizer	Viton®
5	Cap Head Bolts	Stainless Steel
6	Stator Housing	Phosphor Bronze
7	Stator Housing O Ring	Viton®
8	Inboard Rotor O Ring	Viton®



Flange mounted LabTecta-RDS™ installed on a double ended pump (Case Ref: 3304)



100mm LabTecta-RDS™ installed on a gearbox (Case Ref: 3370)

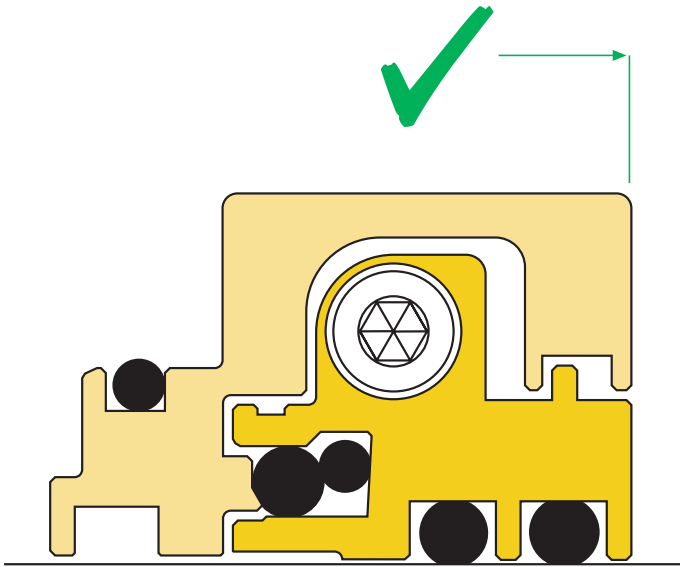
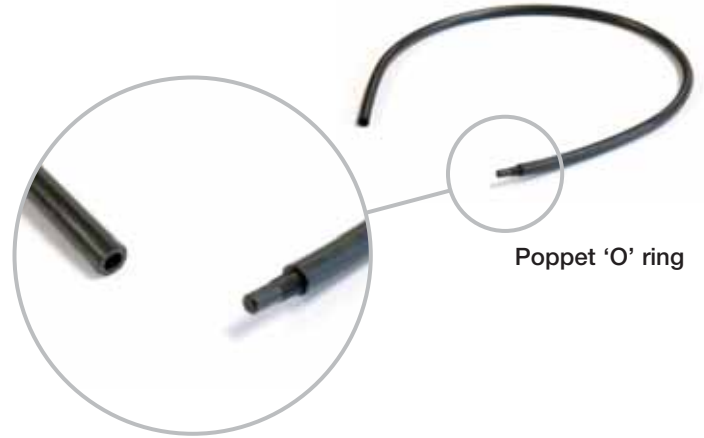


LabTecta-RDS-AX™ installed on a primary air fan (Case Ref: 3389)

LabTecta-RDS™ - Easy Installation

The unique design of the LabTecta-RDS™ means installation problems are a thing of the past. The entire assembly comprises of only two split metal parts and five 'O' rings.

The 'O' rings are 'poppet type' which means installation even in the tightest of places is relatively straight forward.



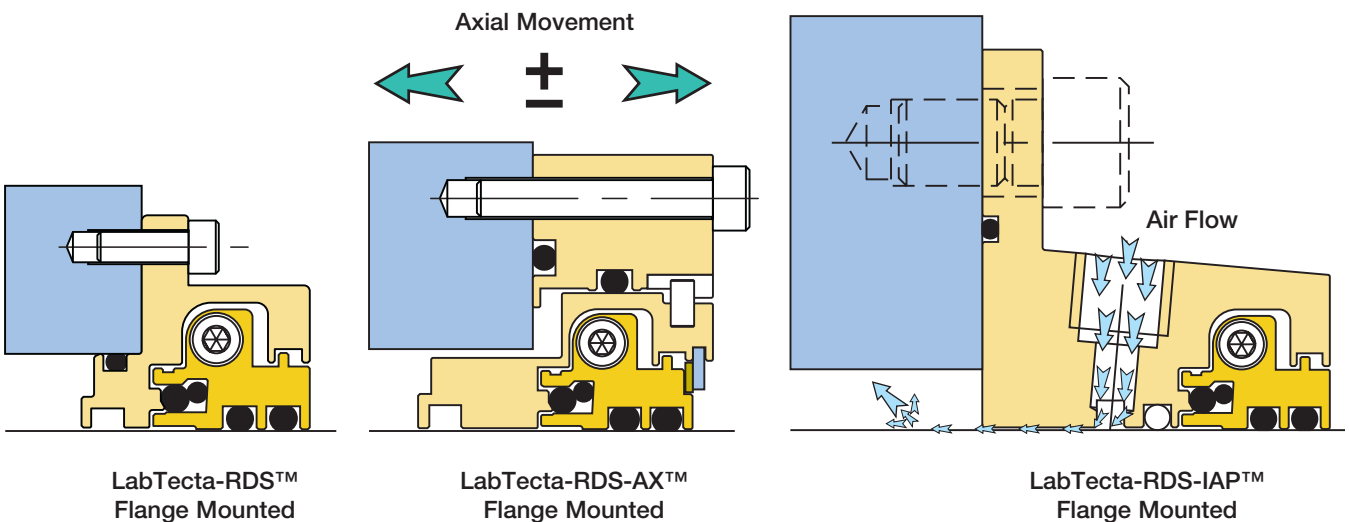
CORRECT installation 'made easy'

'NO NEED FOR SETTING CLIPS'

To ensure the LabTecta-RDS™ is installed correctly, simply check the rotary face sits flush with the stator face.

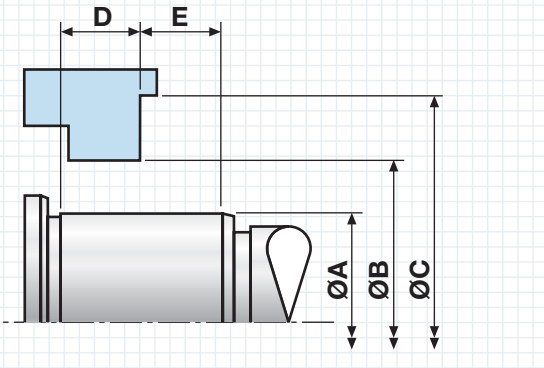
LabTecta-RDS™ - Alternative Designs

The LabTecta-RDS™ is also available in several configurations including flange mounted, axial movement and internal air-purge, giving even greater flexibility for your application. For further technical information or to enquire about pricing and delivery contact the Bearing Protection Division.



Sketch Housing Dimensions

Either use the “standard” diagram provided or sketch your own below.



Dimensions

- ØA (Shaft Ø):
- ØB (Housing Bore Ø):
- ØC (First Obstruction on Face):
- D (Max. Insertion):
- E (First Obstruction):

Application Data:

- Equipment type: Shaft Horizontal or Vertical:
- Speed: Bearing Type:
- Lubrication type/system: Max. Axial Movement:

Complete the information above and send to:

UK Fax: +44 (0) 1709 720788 USA Fax: +1 865 531 0571 E-mail: sales@labtecta.com

Further information about the AESSEAL® LabTecta™ range is available in the standard LabTecta™ brochure. Email sales@labtecta.com to request a copy or download it from our website - www.labtecta.com

THIS DOCUMENT IS DESIGNED TO PROVIDE DIMENSIONAL INFORMATION AND AN INDICATION OF AVAILABILITY. FOR FURTHER INFORMATION AND SAFE OPERATING LIMITS CONTACT OUR TECHNICAL SPECIALISTS AT THE LOCATIONS BELOW.



USE DOUBLE MECHANICAL SEALS WITH HAZARDOUS PRODUCTS. ALWAYS TAKE SAFETY PRECAUTIONS:

- GUARD YOUR EQUIPMENT
- WEAR PROTECTIVE CLOTHING



UK Sales & Technical advice:

AESSEAL plc
Mill Close
Templeborough
Rotherham
S60 1BZ
United Kingdom



INVESTOR IN PEOPLE

Telephone: +44 (0) 1709 369966
Fax: +44 (0) 1709 720788
E-mail: seals@aessecal.com
Internet: http://www.aessecal.com

Distributed by:

Our Purpose: *'To give our customers such exceptional service that they need never consider alternative sources of supply.'*

USA Sales & Technical advice:

AESSEAL Inc.
355 Dunavant Drive
Rockford,
TN. 37853
USA

Telephone: +1 865 531 0192
Fax: +1 865 531 0571
E-mail: usa@aessecal.com

ALL SIZES ARE SUBJECT TO MANUFACTURING TOLERANCES. WE RESERVE THE RIGHT TO MODIFY SPECIFICATIONS AT ANY TIME. AESSEAL plc recognise all trademarks and trademark names as the property of their owners.