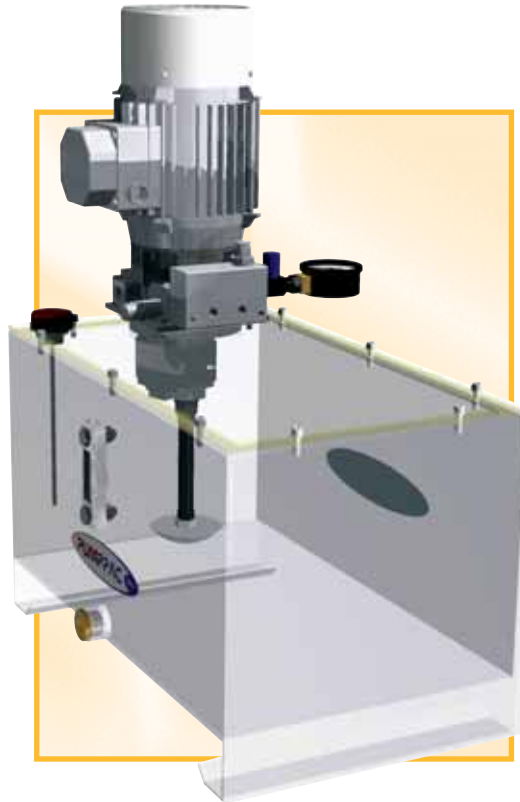




ENVIRONMENTAL TECHNOLOGY

## PUMPPAC-SOU™



### FEATURES

- USES THE SAME PROVEN TECHNOLOGY AND MODULAR DESIGN AS THE STANDARD AESSEAL® PUMPPAC™ RANGE
- SPECIFICALLY DESIGNED TO BE USED IN A RANGE OF NON-HIGH CORROSIVE ENVIRONMENTS
- FORCED CIRCULATION SYSTEM
- CAPABLE OF SUPPLYING SPLIT FLOWS AND A RANGE OF PRESSURES FOR TWO MECHANICAL SEALS

### BENEFITS

- THE PUMPPAC-SOU™ CAN BE INSTALLED IN A VARIETY OF ZONED ENVIRONMENTS BY INTERCHANGING THE INSTRUMENTATION OPTIONS
- HIGH SPECIFICATION, LOW COST SOLUTION TO FORCED BARRIER FLUID CIRCULATION SYSTEMS
- MAXIMISES BARRIER FLUID HEAT DUMP POTENTIAL
- BARRIER FLUID COOLING OF UP TO TWO MECHANICAL SEALS CAN BE ACCURATELY CONTROLLED





The PUMPPAC-SOU™ (Special Oil Unit) utilizes the same technology as the standard AESSEAL® PUMPPAC™ range. The product is suitable for many industries and is designed in accordance with the specifications set in the API plan 54 piping plan. The PUMPPAC-SOU™ can be adapted to different pump environments by adding instrumentation to the standard offering. It is a high specification, low cost solution to forced barrier fluid circulation systems.

**MOTOR**  
Aluminium body  
Weather proof IP55  
3 phase 0.55kW/ 0.73Hp-230/400V-50/60 Hz  
4 pole-1450/1750 rpm

**MANIFOLD**  
Aluminium  
With integral nickel plated steel, adjustable relief valve  
5-50bar/72-725psig

**PUMP**  
Aluminium  
With hardened steel gears  
4.8 lit/min-1.5 US gals/min

**SUCTION FILTER**  
Carbon steel 90 micron

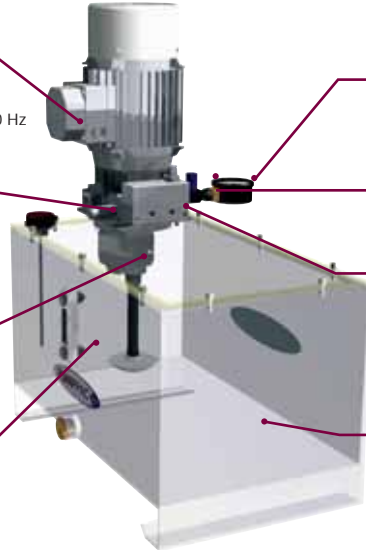
**PUMPPAC-SOU™ Standard Offering**

**PRESSURE GAUGE**  
Glycerine filled 0-60bar/0-870psig  
Polycarbonate anti-impact body, brass wetted parts

**PRESSURE GAUGE ISOLATION VALVE**  
Passivated carbon steel

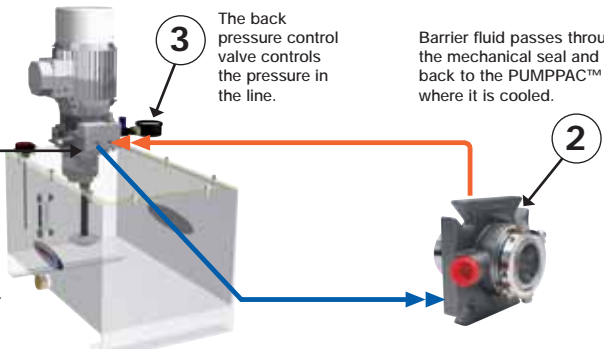
**SEAL PRESSURE CONTROL VALVE BLOCK**  
Aluminium  
With integral nickel plated steel, adjustable back pressure control valve  
5-50bar/72-725psig

**TANK**  
Carbon steel 45lit/12US gals  
Powder coated, both internally and externally



\* If your barrier fluid pressure is to be below 5 bar/75psi please contact your local AESSEAL® representative or AESSEAL (MCK) directly.

**PUMPPAC™ Operating Principle**



1 Cool Barrier fluid is pumped from the PUMPPAC™ to the mechanical seal.

2 Barrier fluid passes through the mechanical seal and back to the PUMPPAC™ where it is cooled.

3 The back pressure control valve controls the pressure in the line.

**Optional Extras:**

- EEXD / Explosion proof motor
- High Flow Oil Pump
- Flow Divider Assembly: Feeds two seals or a double ended pump
- Return Line Filter (10 Micron)
- Internal Cooling Coil (Finned Cupro Nickel Tube)
- Internal Heating Element: 110V, 1.8 KW
- Aluminium Tank - 35 litres / 9.5 US Gallons
- Stainless Steel Tank - 12 US Gallons
- Pressure Gauge - 0-16 Bar / 0-232 psi

**BARRIER & BUFFER FLUID SYSTEMS FOR USE WITH DOUBLE MECHANICAL SEALS**

AESSEAL® supplies an extensive range of barrier and buffer fluid systems for use with double mechanical seals. Wherever possible AESSEAL® prefers to supply both the seal and the system. In addition the company will suggest suitable barrier or buffer fluids for most applications, based on extensive field experience.

AESSEAL® accepts no responsibility for any problems associated with system design, installation, operation, or the use of an unsuitable barrier or buffer fluid, where the fluid, seal or any part of the system have not been specified and/or supplied by AESSEAL®

THIS DOCUMENT IS DESIGNED TO PROVIDE DIMENSIONAL INFORMATION AND AN INDICATION OF AVAILABILITY. FOR FURTHER INFORMATION AND SAFE OPERATING LIMITS CONTACT OUR TECHNICAL SPECIALISTS AT THE LOCATIONS BELOW.



INVESTOR IN PEOPLE

**USE DOUBLE MECHANICAL SEALS WITH HAZARDOUS PRODUCTS. ALWAYS TAKE SAFETY PRECAUTIONS:**

- GUARD YOUR EQUIPMENT
- WEAR PROTECTIVE CLOTHING



**UK Sales & Technical advice:**  
AESSEAL plc  
Mill Close  
Templeborough  
Rotherham  
S60 1BZ  
United Kingdom

Telephone: +44 (0) 1709 369966  
Fax: +44 (0) 1709 720788  
E-mail: seals@aesseal.com  
Internet: http://www.aesseal.com

Distributed by:

---

**Our Purpose:** *'To give our customers such exceptional service that they need never consider alternative sources of supply.'*

**USA Sales & Technical advice:**  
AESSEAL Inc.  
355 Dunavant Drive  
Rockford  
TN. 37853  
USA

Telephone: +1 865 531 0192  
Fax: +1 865 531 0571  
E-mail: usa@aesseal.com

**Systems Sales & Technical advice:**  
AESSEAL (MCK) Ltd.  
139A Hillsborough Old Road  
Lisburn  
N.Ireland  
BT27 5QE

Telephone: +44 (0) 28 9266 9966  
Fax: +44 (0) 28 9266 9977  
Tel/Fax Hotline: +44 (0) 28 9266 9988  
E-mail: MCK@aesseal.co.uk

ALL SIZES ARE SUBJECT TO MANUFACTURING TOLERANCES. WE RESERVE THE RIGHT TO MODIFY SPECIFICATIONS AT ANY TIME.